

BONITA SPRINGS FIRE CONTROL & RESCUE DISTRICT
DIVISION OF FIRE PREVENTION



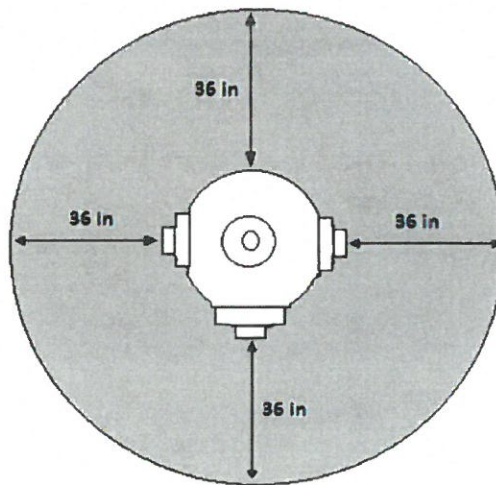
Obstruction of Fire Hydrants and Fire Protection System Connections (FDC)

The Florida Fire Prevention Code requires Fire Hydrants and Fire Protection System Connections (FDC) shall be kept accessible to the Fire Department at all times. (FFPC NFPA 1, 13.1.3 through 13.1.4.1 and FFPC NFPA 1, 18.5.2)

This means no person shall place or keep any post, fences, vehicle, growth, vegetation, trash or storage of other materials that would obstruct a fire hydrant, hinder a fire hydrant, or prevent a fire hydrant to be used immediately by fire department personnel. Fire hydrants and Fire Protection System Connections (FDC) shall be maintained readily visible at all times.

The **Clear Space Around Fire Hydrants** to be three and one half feet (36 in.) circumference around the hydrant. FFPC NFPA 1, 18.5.3; except as otherwise approved or required by the AHJ

The **Clear Space Around Fire Protection Systems (FDC)** to be three and one half feet (36 in.) circumference around the FDC. FFPC NFPA 1, 13.1.3 through 13.1.4.1)



STREET ACCESS
Shall be kept accessible to the Fire department at all times.